

# Disposable tips for

# MultiChannel Arm™ 384.

RELIABLE AND FLEXIBLE 384- AND 96-CHANNEL PIPETTING  
WITH TECAN'S QUALITY DISPOSABLE TIPS

The MultiChannel Arm (MCA) 384 option for Fluent® workstations provides automated liquid handling with high throughput and flexibility for life science applications. Tecan's high quality MCA 384 Disposable Tips, with certified purity levels and filtered options, have been designed to complement this module, offering optimized performance of the MCA384 arm across a broad volume range. Each MCA 384 Disposable Tip is manufactured in a new clean room facility and quality controlled with our new fully automated production line.

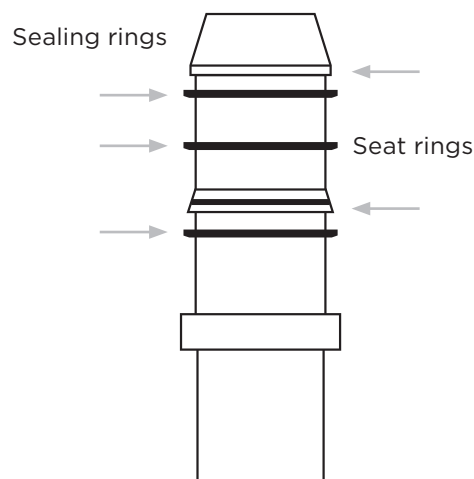
## MAIN FEATURES

- **Excellent format and application flexibility**, including single row or column pipetting
- **Automated switching** between 96- and 384-channel dispensing during a run
- **Broad volume range**, from 0.5 to 125 µl, plus an Extended Volume Adaptor (EVA) for high volume 96-channel pipetting
- **Patented design** for accurate, reproducible low volume pipetting
- **Three tip sizes** – 15, 50 and 125 µl – are available in both Tecan Pure and Tecan Sterile
- **Filtered option** for all sterile tips to prevent aerosol formation



## PRECISION FIT ENSURES RELIABILITY

The advanced design of the MCA 384 Disposable Tips incorporates multiple stabilization guides and flexible sealing rings to provide excellent seal integrity without the use of O-rings. This patented sealing system maintains high pipetting accuracy and low CVs over time, while reducing maintenance requirements.



## COMPATIBILITY

MCA 384 Disposable Tips are compatible with 384-well half-/deep-well plates, and 15 µl tips can also be used with standard 1,536-well plate formats. In addition, 125 µl tips offer full depth access to 96-well deep-well plates and typical 0.7 ml and 1.4 ml 96 storage tube formats, allowing rapid sample transfer and assay plate generation.

## TECAN PURITY LEVEL AND FILTERED OPTIONS

MCA 384 Disposable Tips are available in two purity levels to suit the needs of your application:

### Tecan Pure

- Free from human DNA, DNase, RNase and PCR inhibitors
- Targeted towards molecular diagnostics and genomics applications

### Tecan Sterile

- Sterile
- Free from human DNA, DNase, RNase and pyrogens/endotoxins
- Intended for applications in cell biology, microbiology and cell-based screening

## ORDERING INFORMATION



### Tecan Pure

### Tecan Sterile

### Features



15 µl

50 µl

125 µl

### Non-filtered

30138080

30138087

30138090

### Non-filtered

30138085

30051806

30138091

### Filtered\*

30138086

30138089

30138092

\*Maximum pipetting volume 14.5, 40 and 110 µl respectively.

## SPECIFICATIONS

Pipetting of aqueous solutions<sup>1</sup> with COMBO Adapter in 384-channel format

Tip size	Range	Performance <sup>2</sup>
15 µl	0.5-15 µl	CV <4 % at 0.5 µl <sup>3</sup>
50 µl	1.0-50 µl	CV <4 % at 1.0 µl
125 µl	2.0-125 µl	CV <3 % at 2.0 µl

Pipetting of DMSO solutions<sup>1</sup> with COMBO Adapter in 384-channel format

Tip size	Range	Performance <sup>2</sup>
15 µl	0.5-15 µl	CV <4 % at 0.5 µl
50 µl	0.5-50 µl	CV <4 % at 1.0 µl
125 µl	2.0-125 µl	CV <3 % at 2.0 µl

<sup>1</sup> Photometry measurement, contact dispense, method and liquid handling parameters on request

<sup>2</sup> Accuracy = ± 5 % <sup>3</sup> Accuracy = ± 10 %

The MultiChannel Arm 384 is released for Research Use Only.

[www.tecan.com](http://www.tecan.com)

**Australia** +61 3 9647 4100 **Austria** +43 62 46 89 330 **Belgium** +32 15 42 13 19 **China** +86 21 220 63 206 **France** +33 4 72 76 04 80 **Germany** +49 79 51 94 170  
**Italy** +39 02 92 44 790 **Japan** +81 44 556 73 11 **Netherlands** +31 18 34 48 17 4 **Nordic** +46 8 750 39 40 **Singapore** +65 644 41 886 **Spain** +34 93 595 25 31  
**Switzerland** +41 44 922 89 22 **UK** +44 118 9300 300 **USA** +1 919 361 5200 **Other countries** +41 44 922 81 11

© 2020 Tecan trading AG, Switzerland, all rights reserved. For disclaimer and trademarks please visit [www.tecan.com](http://www.tecan.com)

