



Cavro® XLP/XMP syringes

for Cavro XLP and XMP syringe pumps

The heart of your liquid handling application

Quality matters

Tecan offers a range of Cavro XLP/XMP syringes for use with 60 mm stroke Cavro XLP and XMP pumps. Each syringe has a precision manufactured glass barrel and stainless steel plunger rod, allowing accurate volume control over 6,000 (standard) or 48,000 (microstepping) increments.

A wide range of sizes are available, with either PTFE or ultra-high molecular weight polyethylene (UHMW-PE) plunger seals, offering excellent chemical resistance*. UHMWPE seals also provide extended service life, ensuring reliable performance and reducing maintenance requirements.

A range of accessories is also available to complement Cavro XLP/XMP syringes, including:

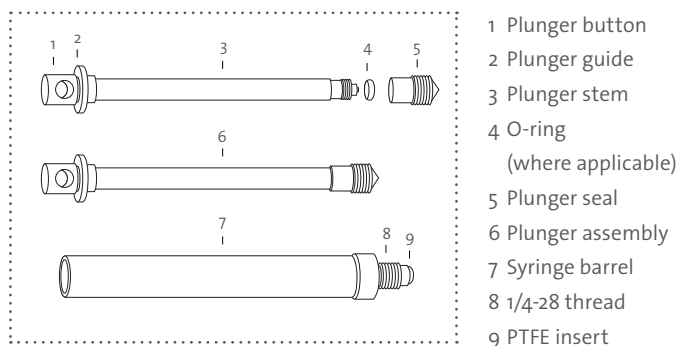
Lubrication kit to increase the working life of plunger seals

Plunger seal replacement kits to extend syringe life

Plunger seal tool kit to simplify seal replacement

* Please refer to chemical compatibility charts for further details.

Syringe components



Technical specifications

Dimensions

Travel	60 mm
Fitting	¼ – 28
Wetted material	PTFE seal: virgin PTFE and borosilicate glass UHMWPE seal: ultra-high molecular weight poly ethylene and borosilicate glass

Ordering information

Material description	Material number (M/N)
Cavro XLP/XMP Syringe – PTFE seal, 50 µl	20734801
Cavro XLP/XMP Syringe – PTFE seal, 100 µl	20734802
Cavro XLP/XMP Syringe – PTFE seal, 250 µl	20734803
Cavro XLP/XMP Syringe – PTFE seal, 500 µl	20734804
Cavro XLP/XMP Syringe – PTFE seal, 1 ml	20734805
Cavro XLP/XMP Syringe – PTFE seal, 2.5 ml	20734806
Cavro XLP/XMP Syringe – PTFE seal, 5 ml	20734807
Cavro XLP Syringe – PTFE seal, 10 ml	20734808
Cavro XLP Syringe – PTFE seal, 25 ml	20734809
Cavro XLP Syringe – PTFE seal, 50 ml	20736652
Cavro XLP Syringe – UHMWPE seal, 50 µl	30036574**
Cavro XLP/XMP Syringe – UHMWPE seal, 100 µl	30036575
Cavro XLP/XMP Syringe – UHMWPE seal, 250 µl	30036576
Cavro XLP/XMP Syringe – UHMWPE seal, 500 µl	30036577
Cavro XLP/XMP Syringe – UHMWPE seal, 1 ml	30036578
Cavro XLP/XMP Syringe – UHMWPE seal, 2.5 ml	30036579
Cavro XLP Syringe – UHMWPE seal, 5 ml	30036590
Cavro XLP Syringe – UHMWPE seal, 10 ml	30036591

**Limited availability. Please ask your Tecan representative for details.



Cavro syringes with UHMWPE seal tips, sizes range from 50 µl – 10 ml.



Cavro syringe with PTFE seal tip

Australia +61 3 9647 4000 **Austria** +43 62 46 89 33 **Belgium** +32 15 42 13 19 **China** +86 21 220 63 206 **Denmark** +45 70 23 44 50 **France** +33 4 72 76 04 80 **Germany** +49 79 51 94 170
Italy +39 02 92 44 790 **Japan** +81 44 556 73 11 **Netherlands** +31 18 34 48 17 4 **Singapore** +65 644 41 886 **Spain** +34 93 490 01 74 **Sweden** +46 31 75 44 000
Switzerland +41 44 922 89 22 **UK** +44 118 9300 300 **USA** +1 919 361 5200 **Other countries** +43 62 46 89 33

Safety and regulatory compliance

Tecan Cavro OEM components are designed and manufactured to the highest quality standards, meeting ISO 9001 and ISO 13485 requirements, EU RoHS directives and the QSR compliant quality system. Most Tecan Cavro components are UL recognized components. Products shown are not to scale.

Tecan Group Ltd. makes every effort to include accurate and up-to-date information, however, it is possible that omissions or errors might have occurred. Tecan Group Ltd. cannot, therefore, make any representations or warranties, expressed or implied, as to the accuracy or completeness of the information provided. Changes can be made at any time without notice. All mentioned trademarks are protected by law. For technical details and detailed procedures of the specifications provided please contact your Tecan representative. This may contain reference to applications and products which are not available in all markets. Please check with your local sales representative.

Tecan and Cavro are registered trademarks of Tecan Group Ltd., Männedorf, Switzerland.

© 2014, Tecan Trading AG, Switzerland, all rights reserved.

www.tecan.com/components